

## Raised Toilet seat

Thank you for purchasing this Croydex product. Please follow the fixing and care instructions to ensure your Raised Toilet Seat is fitted safely and retains its high quality finish. Please retain this leaflet for future reference.

This installation guide applies to the following products:

### WL400522H Raised Toilet seat

#### Tools Required - Not Supplied

Hacksaw (Optional - Used to shorten the length of the fixing studs)

KEEP DIY TOOLS OUT OF THE REACH OF CHILDREN

#### Home Safety Advice

- Do not strike the product with hard or sharp objects.
- Do not stand on the lid or the seat.
- Avoid slamming the lid or the seat.
- Check the fit to ensure the toilet seat is secure before use.

#### Product Care

- To retain the best quality finish, clean product regularly with a soft cloth and mild detergents.
- Do not use abrasive or chemical cleaners as these may damage the product.
- Spray cleaning liquids onto the cloth and not directly onto the product.

#### Fixing Pack Contents (Not to scale)

**A** - Securing Buffer x 2

**B** - Screw Cap x 2

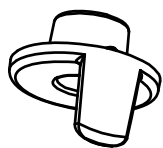
**C** - Hinge Gasket x 2

**D** - Fixing Bolt x 2

**E** - Washer x 2

**F** - Nut x 2

**G** - Spanner x 1



**A**



**B**



**C**



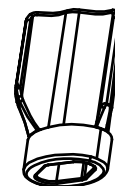
**D**



**E**



**F**



**G**

## Toilet seat fitting guide

1. Remove the front buffer fixing screws from the toilet seat then assemble the front security buffers, rotating both, so they are positioned either inside the rim of the toilet pan or both outside the rim. The shape of the toilet pan will dictate the most secure fit. Secure the buffers in position using the screws provided and fit the screw cover caps. Fig 2. (The buffers can be re-adjusted later following seat installation if required.)
3. Assemble the toilet seat fixings using Fig 3 and Fig 4 as a guide. The fixing studs can be placed into one of five positions in the hinge bases to allow for adjustment and alignment. Please note, the minimum hole fixing centre dimension is 137mm and maximum is 175mm. Fig 4.
4. Align the toilet seat with the toilet pan, ensuring that the seat is far enough forward on the pan to allow the lid and seat to stay up when lifted to an upright position. Once the toilet seat is in its desired position tighten the fixing nuts using the spanner supplied. Fig 4.
5. Check to ensure the seat is securely fitted to the toilet pan before use, and if necessary, re-adjust to ensure the front buffers hold the seat in position.

Fig 1

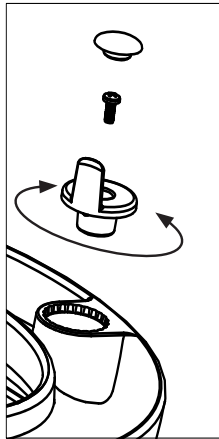


Fig 2

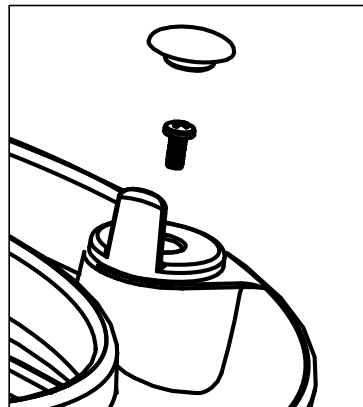


Fig 3

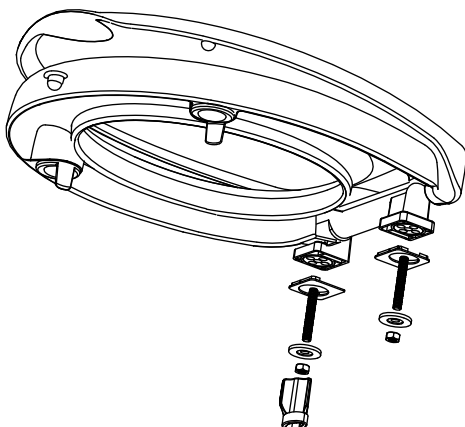
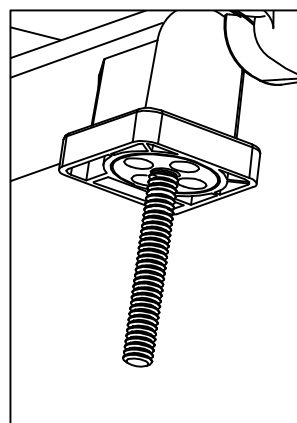


Fig 4



Min. fixing centres  
= 137mm  
Max. fixing centres  
= 175mm

For details of the other items in the Croydex range please visit our website: [www.croydex.com](http://www.croydex.com)

Croydex, Central Way, Andover, Hampshire, SP10 5AW, UK  
Tel: +44 (0) 1264 365881 Fax: +44 (0) 1264 356437  
E-mail: [info@croydex.co.uk](mailto:info@croydex.co.uk)