

Luminoso Self Lighting Toilet Seat - WL533122E

Thank you for purchasing this Croydex product. Please follow the instructions below to ensure your toilet seat is assembled safely and retains its high quality finish.

Please retain this leaflet for future reference.

Tools Required - Not Supplied

Flat-head screwdriver, cross-head screwdriver

KEEP DIY TOOLS OUT OF THE REACH OF CHILDREN

Home Safety Advice

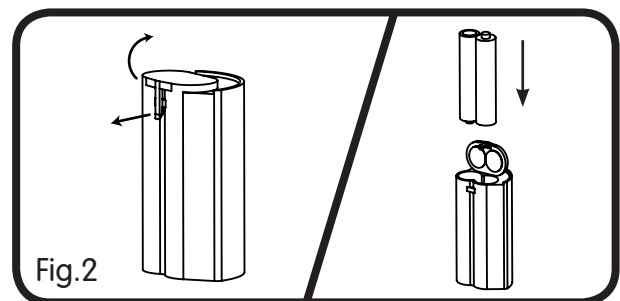
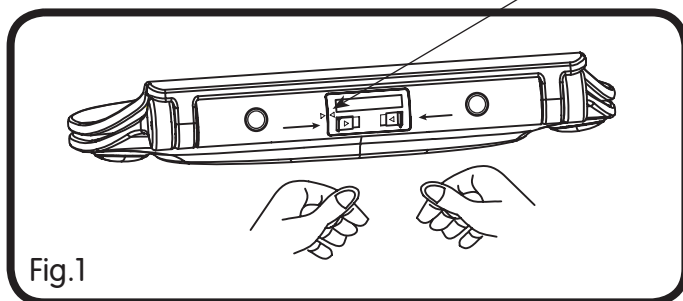
- Do not strike the product with hard or sharp objects.
- Do not stand on the lid or the seat.
- Avoid slamming the lid or the seat.
- Check the fit to ensure the toilet seat is secure before use.

Product Care

- To retain the best quality finish, clean product regularly with a soft cloth and mild detergents.
- Do not use abrasive or chemical cleaners as these may damage the product.
- Spray cleaning liquids onto the cloth and not directly onto the product.

Installation Guide - Batteries

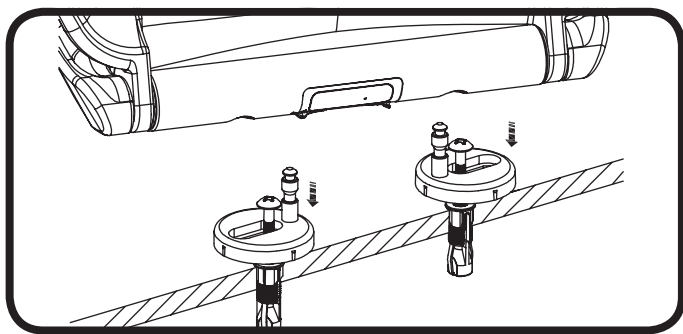
1. Batteries must be inserted before fitting the seat to the toilet pan.
2. Remove the battery housing from the underside of the toilet seat by sliding the two buttons towards the centre and pulling the battery housing from the toilet seat. (Fig.1)
3. Unclip the battery cover on the battery housing and insert 2 x 1.5v AAA alkaline batteries into the battery compartment, ensuring that the polarity is correct, then close the battery cover, (Fig.2). The LED light will illuminate for 1 to 2 seconds to indicate charge in the batteries.
4. Insert the battery housing into the recess in the toilet seat, ensuring that the locating arrow on the battery housing is correctly aligned with the corresponding arrow on the toilet seat.



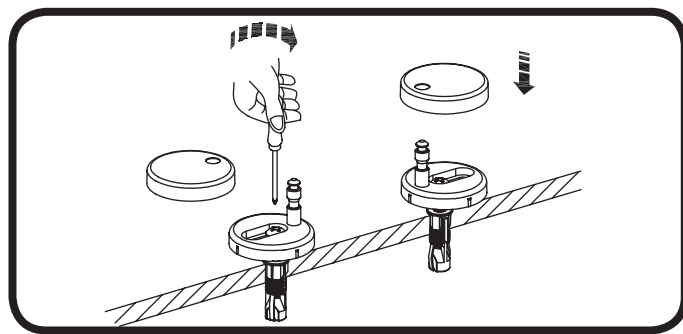
Light Activation

The light is sound activated and will only illuminate in **very** low light, dark conditions.

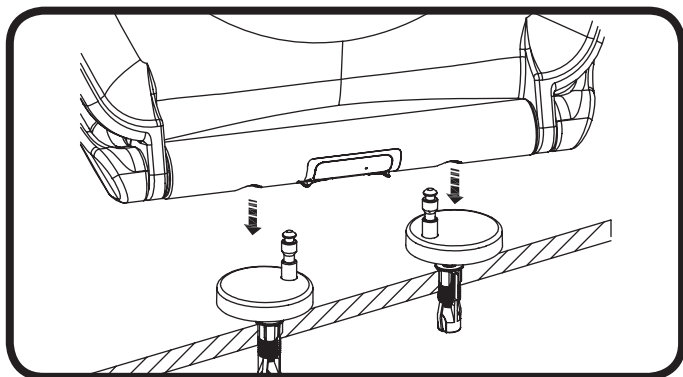
It will remain illuminated for approximately two minutes before automatically turning off and it will reset itself for reactivation after 1 to 2 seconds.



1. Insert the plastic plugs into the fixing holes of the WC pan and lightly screw in the toilet seat mounting brackets.

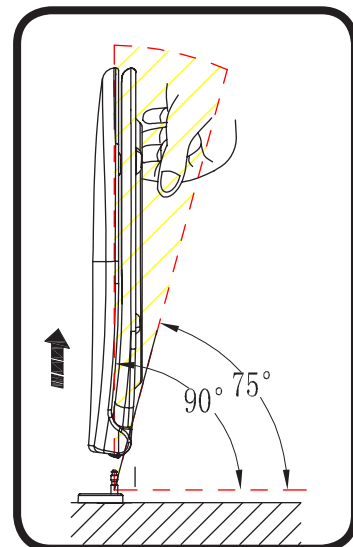


2. Rotate the brackets until you are happy with the toilet seat alignment on the pan and fully tighten the screws in place.



3. When aligning the seat ensure the pins on the mounting brackets line up with the toilet seat hinges and simply push on to fit.

4. Seat Removal
Open the seat and lid to between 75° & 90° as shown and lift the seat upwards to remove from the toilet seat mounting brackets.



THIS PRODUCT IS SOLD WITHOUT BATTERIES.

IMPORTANT: Always dispose of used batteries through recognised electrical equipment waste disposal schemes.

WARNING: Do not break open or burn used batteries. Incorrect disposal of spent batteries may be hazardous to health.



This product complies with the requirements of:

- European Parliament/Council Directive 2014/30/EU on the harmonisation of the laws of the Member States relating to electromagnetic compatibility (EMC) Directive (recast).
- European Parliament and Council Directive 2011/65/EU of 8 June 2011 on the restriction of the use of certain hazardous substances in electrical and electronic equipment (recast) (RoHS Directive)

Applicable standards with amendments

- EN 55015:2013
- EN 61547:2009

For details of the other items in the Croydex range please visit our website: www.croydex.com

Croydex, Central Way, Andover, Hants, SP10 5AW, UK
 Tel: +44 (0) 1264 365881
 Fax: +44 (0) 1264 356437
 Email: info@croydex.co.uk



To the Electromagnetic Compatibility (EMC) Directive 2014/30/EU

1. *Description of product:-*

Name: **Self-Lighting Toilet Seat**
Part No. **WL533122E**

2. *Directives complied with:-*

European Parliament/Council Directive 2014/30/EU on the harmonisation of the laws of the Member States relating to electromagnetic compatibility (EMC) Directive (recast).

3. *Declaration*

The product listed above in section 1 conforms to the following harmonised standards:

EMC

Emissions: BS EN 55015:2013
Immunity: BS EN 61547:2009

For and on behalf of CROYDEX



P. Pegden
Product and Procurement Director
Date: 04-01-2016



To the Restriction of Hazardous Substances (RoHS) Directive 2011/65/EU

1. *Description of products:-*

Name: **Self-Lighting Toilet Seat**
Part No. **WL533122E**

2. *Directives complied with:-*

European Council Directive 2011/65/EU of 8 June 2011 on the restriction of the use of certain hazardous substances in electrical and electronic equipment (recast).

3. *Declaration*

It is hereby certified that the concentration by weight of the restricted substances in the homogenous materials in the product described above at section 1 do not exceed the maximum allowed concentrations listed in European Council Directive 2011/65/EU Annex II Restricted substances referred to in Article 4(1) and maximum concentration values tolerated by weight in homogeneous materials, as detailed below:

Substance	Concentration
Lead	0.1%
Mercury	0.1%
Cadmium	0.01%
Hexavalent Chromium	0.1%
PBB (Polybrominated Biphenyls)	0.1%
PBDE (Polybrominated Diphenyl Ethers)	0.1%

For and on behalf of CROYDEX

P. Pegden
Product and Procurement Director
Date: 04-01-2016