

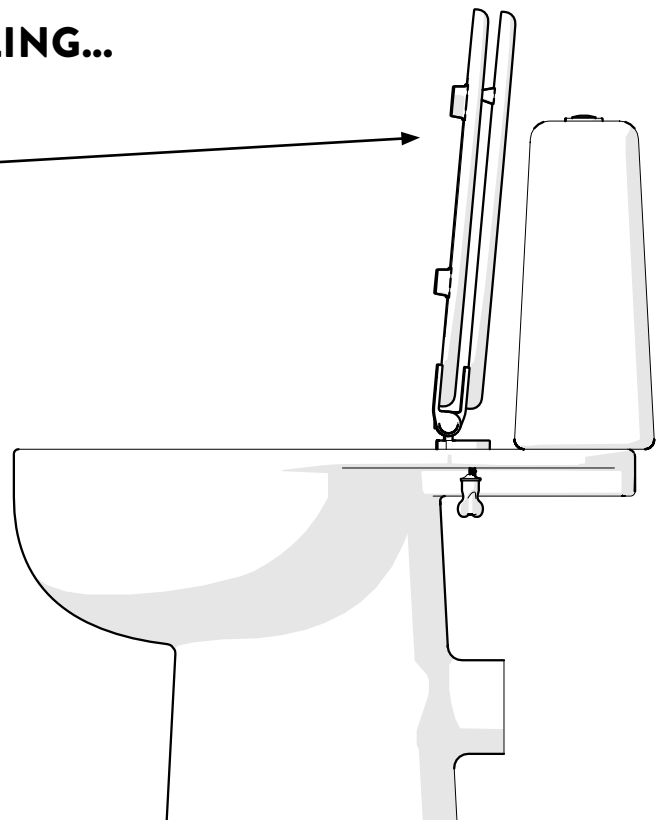
WL600422H
WL600522H
WL601922H



Please read the information sheet before proceeding.

WHAT TO KNOW BEFORE INSTALLING...

1. When positioning the seat onto the pan ensure that the lid and ring can be lifted and remain upright on the pan. In some cases the seat can be obstructed by the cistern or the flush handle which prevents it from staying upright.
2. Before activating the grip pad technology (Step 7) ensure the toilet seat is in a perfect position as it cannot be reused without compromising performance.
3. To remove the seat at the end of its use, use a scraper to carefully lever the hinge away from the toilet pan.



1.



Croydex, Central Way, Andover,
Hampshire, SP10 5AW, UK



+44 (0) 1264 365881



+44 (0) 1264 356437



info@croydex.co.uk



www.croydex.com

TS 046 R03

ICON LIBRARY

SIT TIGHT TOILET SEAT



For reference only







Parts may vary.
(Optional)



Warning! Please
take special care.

PLEASE READ ALL OF THE INFORMATION CAREFULLY AND REFER BACK WHEN YOU SEE THE NUMBERED ICONS THROUGHOUT INSTRUCTIONS.

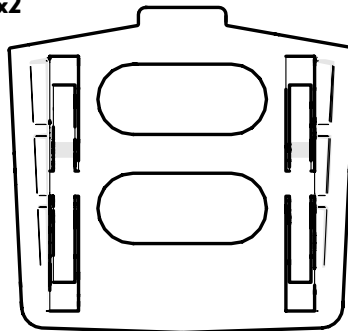
SAFETY AND CARE

-  1 To retain the best quality finish, clean product with a soft cloth and a mild soap solution.
-  2 Do not use abrasive or chemical cleaners as they may damage the surface of the toilet seat or hinges.
-  3 Spray cleaning liquids onto the cloth and not directly onto the product.
-  4 Take care when cleaning the toilet pan with chemical cleaners. Avoid contact of the chemical cleaners with the toilet seat or hinges. Immediately rinse off any splashes to avoid damage or discolouration to the surface of the toilet seat and hinge parts.

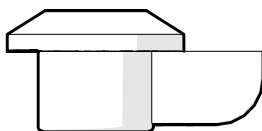
 A x2



 C x2



 B x2



 2.



Croydex, Central Way, Andover,
Hampshire, SP10 5AW, UK



+44 (0) 1264 365881



+44 (0) 1264 356437



info@croydex.co.uk



www.croydex.com

TS 046 R03

1. BEFORE YOU BEGIN

PREPARATION

- Remove the old seat from the pan and clean the surface around the fixing holes.
- Ensure the surfaces around the fixing holes are completely dry before beginning the installation.

PLACEMENT

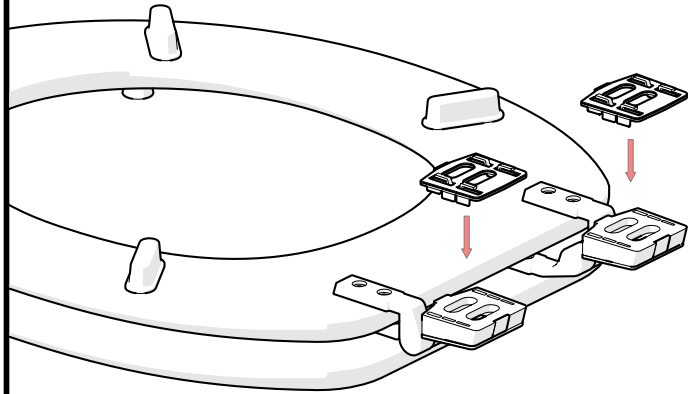
In its sealed packaging place the seat over your pan to ensure you are happy with size and shape of the toilet seat.

HELPFUL ADVICE

To ensure you do not lose any components down the toilet you may want to place cling film over the bowl of the toilet.

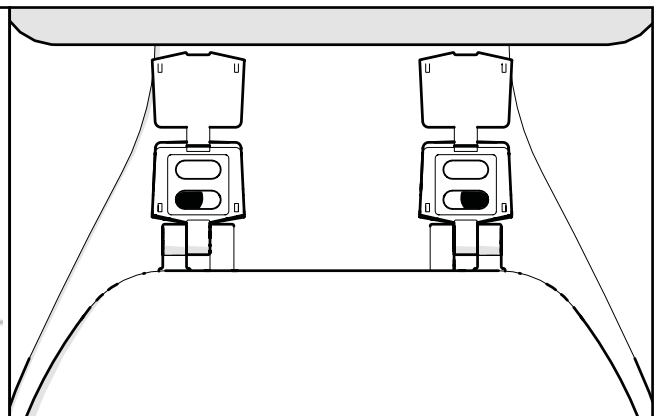
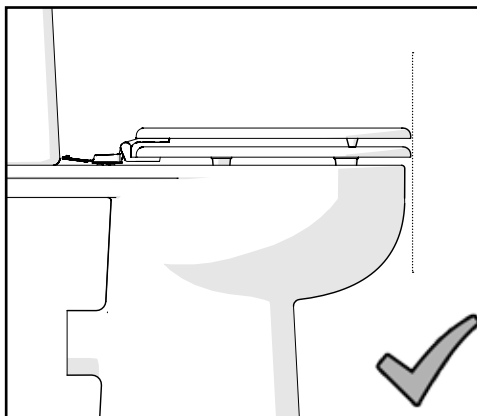
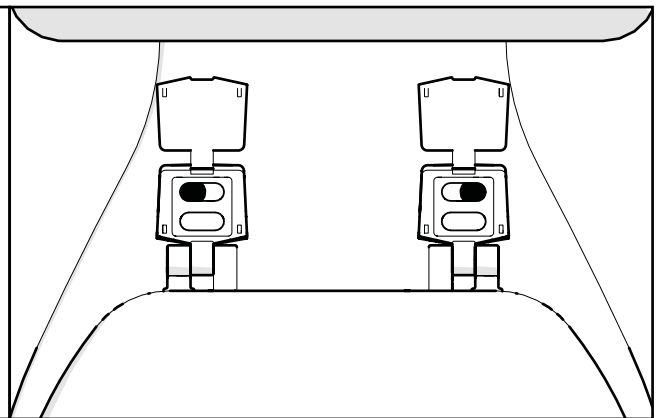
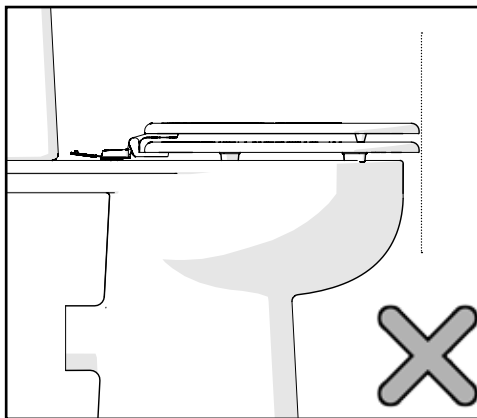
2.

Attach the Grip Pad component to the hinges on the seat.





3.


Choose the most appropriate slot to suit the length of the toilet pan.



3.

 Croydex, Central Way, Andover, Hampshire, SP10 5AW, UK

 +44 (0) 1264 365881

 +44 (0) 1264 356437

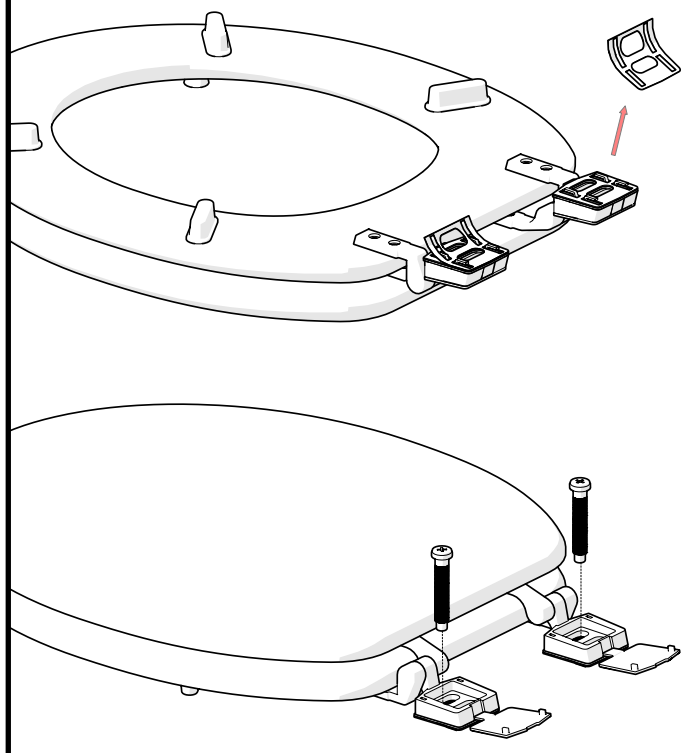
 info@croydex.co.uk

 www.croydex.com

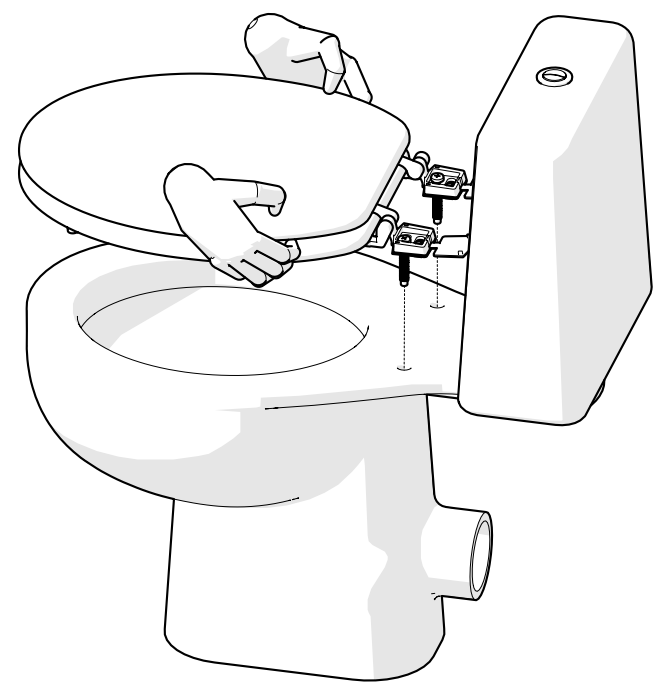
TS 046 R03

4.

Remove the protective film to reveal the grip pad and place bolts into the hinge base.



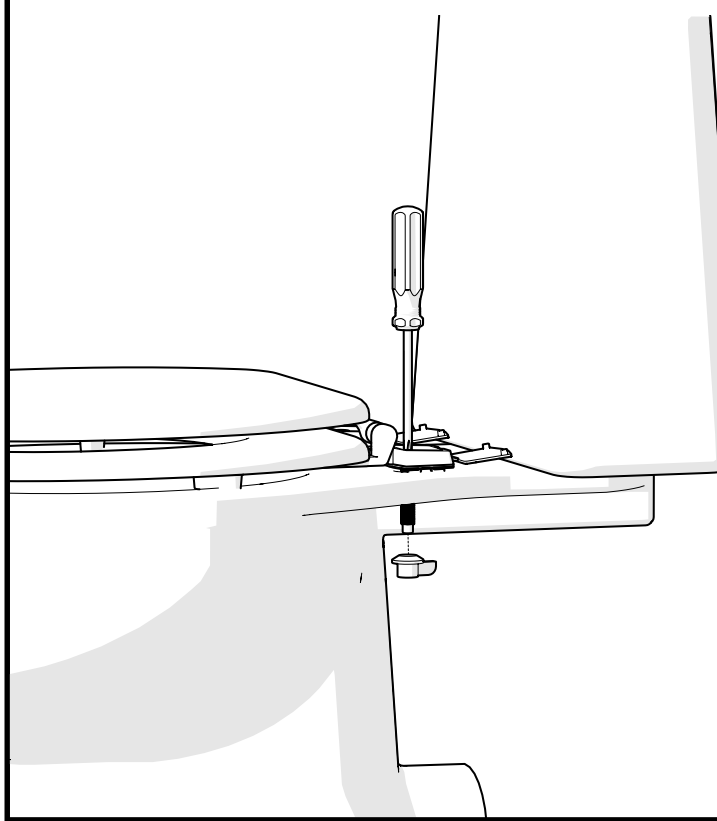
5.



Carefully place the seat on the pan ensuring the Grip Pad does not stick to the pan surface at this stage of installation.

6.

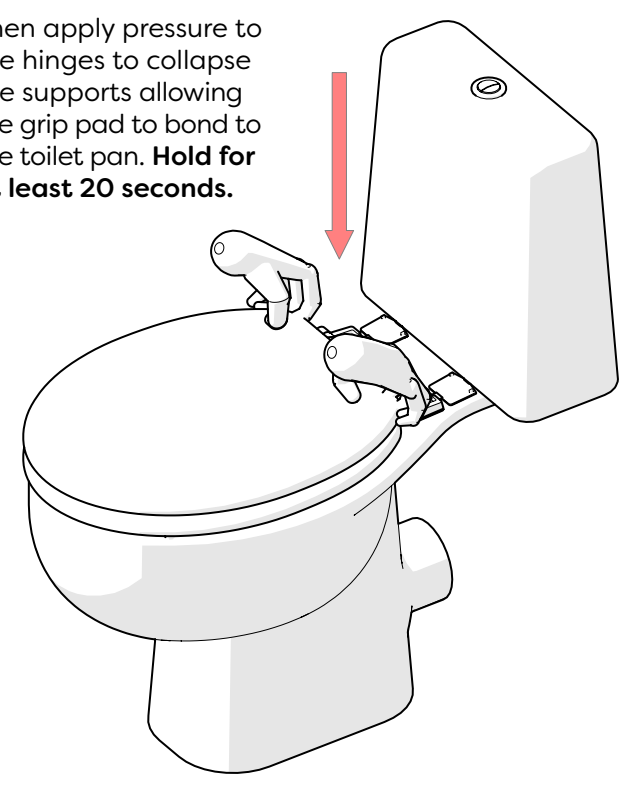
Lightly screw the bolt into place using the nut provided. Do not collapse the supports on the hinge base yet.





7.



Complete a final check to ensure that you are happy with the position of the seat.

Then apply pressure to the hinges to collapse the supports allowing the grip pad to bond to the toilet pan. Hold for at least 20 seconds.



4.

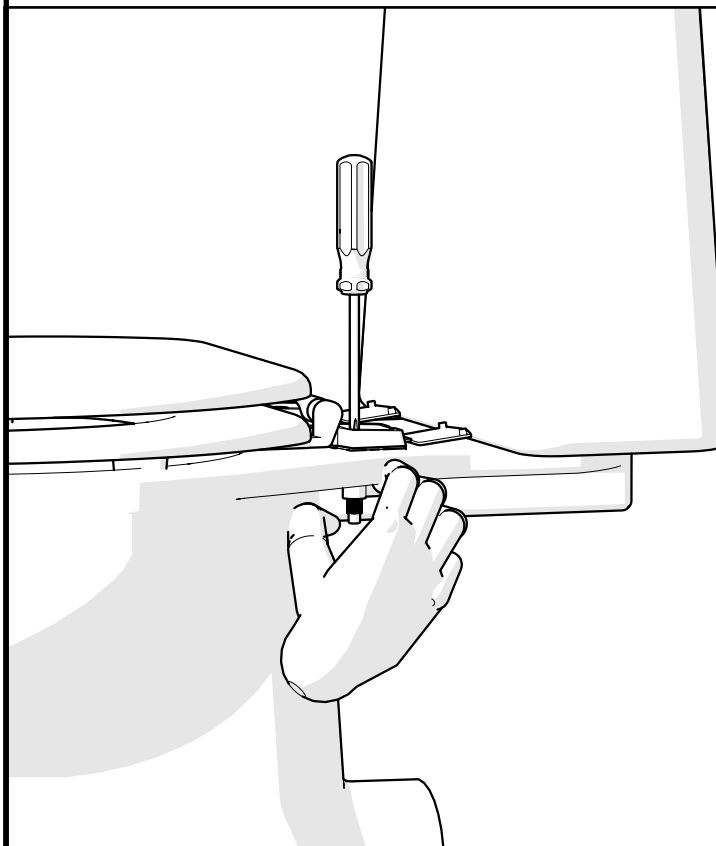
 Croydex, Central Way, Andover, Hampshire, SP10 5AW, UK
 +44 (0) 1264 365881

 +44 (0) 1264 356437
 info@croydex.co.uk

 www.croydex.com
TS 046 R03

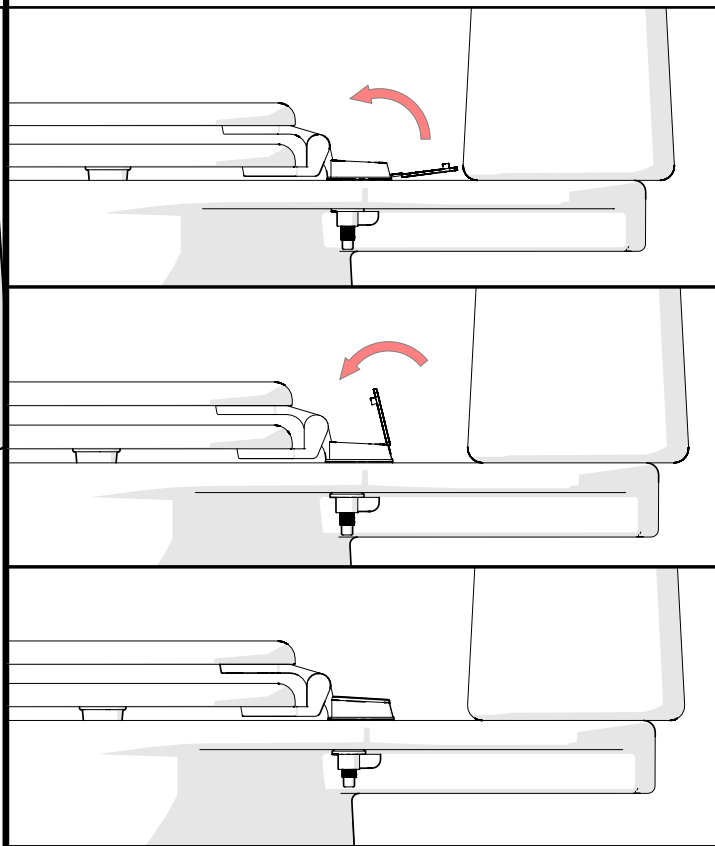
8.

Fully tighten the bolt.





9.


Fold over covers and clip into place.



5.

 Croydex, Central Way, Andover,
Hampshire, SP10 5AW, UK

 +44 (0) 1264 365881

 +44 (0) 1264 356437

 info@croydex.co.uk

 www.croydex.com

TS 046 R03