

Beaulieu Vanity Unit, Mirror and Light

Thank you for purchasing this Croydex product. Please follow the fixing and care instructions to ensure that your product is fitted safely and that it retains its high quality finish. Please retain this leaflet for future reference.

This instruction leaflet applies to the following products:

WC410122E BEAULIEU WHITE VANITY UNIT AND MIRROR SET
WC410176E BEAULIEU LIGHT OAK VANITY UNIT AND MIRROR SET

IMPORTANT INSTALLATION INFORMATION



THIS IS A CLASS 2 APPLIANCE AND MUST NOT BE CONNECTED TO EARTH

INPUT: 220-240V ~ 200mA 4.8W IP 44



HAZARDOUS VOLTAGES INSIDE – DO NOT OPEN SEALED UNITS

THIS PRODUCT MUST BE CONNECTED TO A SWITCHED LIVE LIGHTING CIRCUIT

THERE ARE NO USER REPLACEABLE PARTS IN THE LIGHT UNIT

In accordance with Statutory Instrument 2004 No. 3210 - The Building (Amendment) (No.3) Regulations 2004, any work, other than repair/replacements, in a room where there is water (e.g. kitchen, bathroom, etc.) must be either:

- carried out by an electrician who is a member of a competent person self-certification scheme who will certify the work complies with the Building Regulations and you do not need to notify your local authority, or,
- carried out after prior notification to the Local Authority Building Control Department, which has responsibility for ensuring that the work is inspected and tested.

IMPORTANT WARRANTY INFORMATION

In accordance with Statutory Instrument 2004 No. 3210 - The Building (Amendment) (No.3) Regulations 2004, the installer must give the occupier of the premises in which this product has been installed a certificate to confirm that the requirements of regulations 4 and 7 have been satisfied, or the installation of this product must be inspected and tested by the Local Authority Building Control Department who will issue a compliance certificate.

A copy of this certificate may be required for certain warranty claims. Failure to provide a copy of the certificate may invalidate the warranty.

This does not affect your statutory rights.

We recommend that you make yourself aware of the Regulations before you undertake any work and if you require clarification you should contact your Local Authority Building Control Department.

Fixing Pack Contents and Tools Required

Drill; 8mm Masonry Drill Bit; 8mm Ceramic Drill Bit (optional); Cross Head Screwdriver; Hacksaw; Bradawl; Pencil.

KEEP DIY TOOLS OUT OF THE REACH OF CHILDREN

Home Safety Advice

It is recommended that two people fit the cabinet to ensure that it is fitted safely.

Always take care when using an electric drill, particularly in the bathroom. Always check for hidden cables and pipe work before drilling and take extreme care if there is any water in the working area.

It is advisable to use a residual current circuit breaker (RCCB).

Always wear suitable eye protection when drilling.

If the product is to be fitted on a ceramic tiled wall, a ceramic drill bit should be used. Always ensure that the drill hole passes through the central tiled area rather than through the grouted area. To prevent unnecessary damage to the tile, mask the area around the hole with tape before drilling.

Do not strike the product with hard or sharp objects.

Do not overload the cabinet. Maximum safe working load is 15kg evenly distributed if mounted on to a solid wall. If mounted on to a cavity wall reduce the load to 10kg evenly distributed.

Fixing Instructions

Positioning the Mirror

1. The light unit is rated IP44 and must only be installed in the Outside Zones, as shown in Figure 1.
2. Ensure that the access to the switched electrical supply is located behind the intended mounting position for the mirror.

Product Care

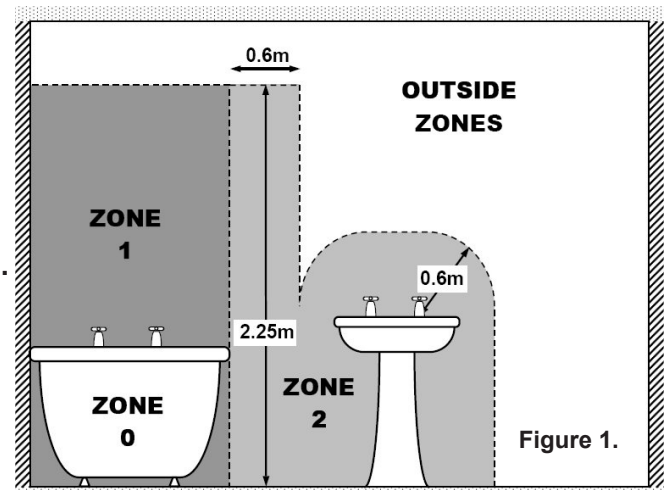
To retain the best quality finish, clean product regularly with a soft damp cloth. Do not use abrasive or chemical cleaners as these will damage the product. Do not position glass components in close contact with a heat source. Do not strike glass with hard or sharp objects.

Product Location

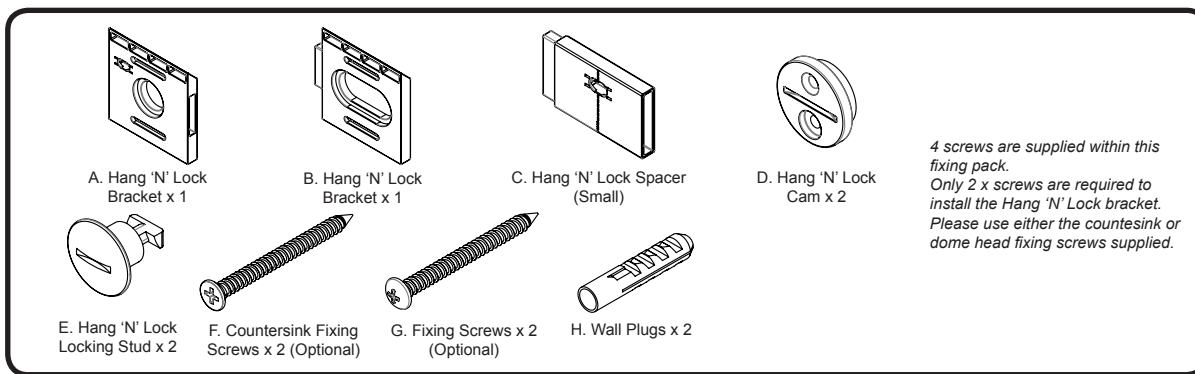
Vanity units are only as strong as the wall to which they are fixed and the fixings that are used. For different wall types you will need to ensure that you are using the correct type of fixing for the material of the wall.

The addition of backboards on the outside of the wall or appropriate strengthening of internal structures may be required to provide adequate wall strength.

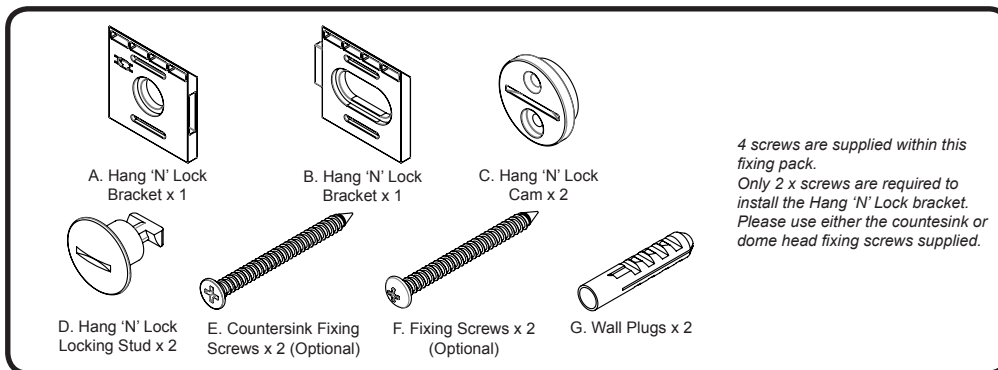
NOTE: If the wall is made of lightweight thermal blocks, aerated hollow brickwork or prefabricated partitions even the most appropriate fixings may not be able to withstand the loads which can be suddenly applied to the vanity unit.



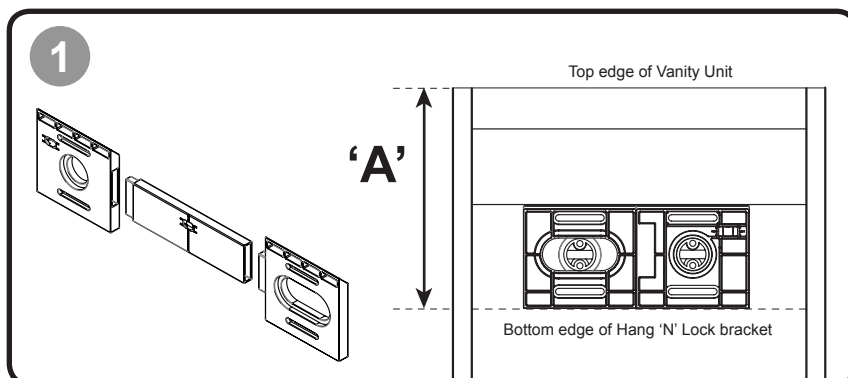
Hang 'N' Lock fixing components - Vanity Unit



Hang 'N' Lock fixing components - Mirror



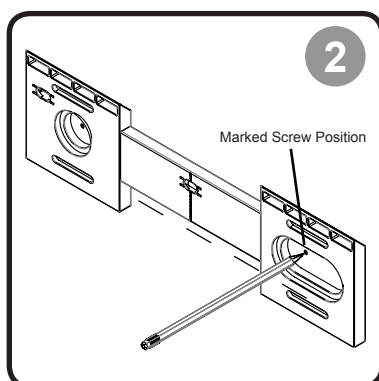
Vanity Unit Installation



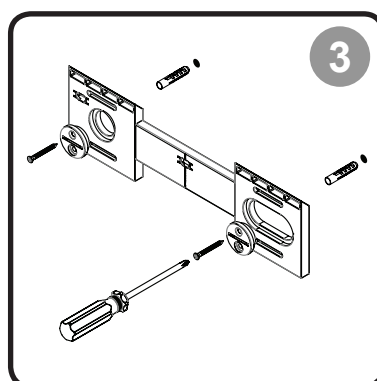
Assemble the Hang 'N' Lock bracket sections making sure all parts are slotted together tightly.

Place the Hang 'N' Lock bracket onto the hanging baton at the back of the Vanity Unit and measure the dimension 'A' – See fig.1.

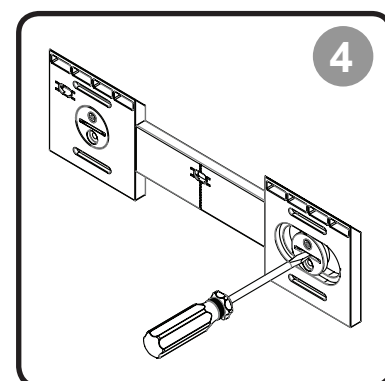
Determine the desired location of the Vanity Unit and mark a point at the top edge of the cabinet on the wall surface. Using dimension 'A' draw a horizontal reference line below the top mark to determine the position of the bottom edge of the Hang 'N' Lock bracket.



Place the bottom edge of the Hang 'N' Lock bracket onto the reference line and using a pencil, mark the screw hole positions in each cam recess. Remove the Hang 'N' Lock bracket from the wall surface prior to drilling.



Drill the marked holes to a depth of 45mm. Insert the wall plugs level with the surface of the wall. (Note: if you are fitting the product to a tiled surface, insert the wall plugs below the surface of the tile to avoid cracking, the tile) Insert 2 x screws (Either countersink or standard screws can be used) through the Hang 'N' Lock cams and loosely secure the Hang 'N' Lock bracket to the wall.

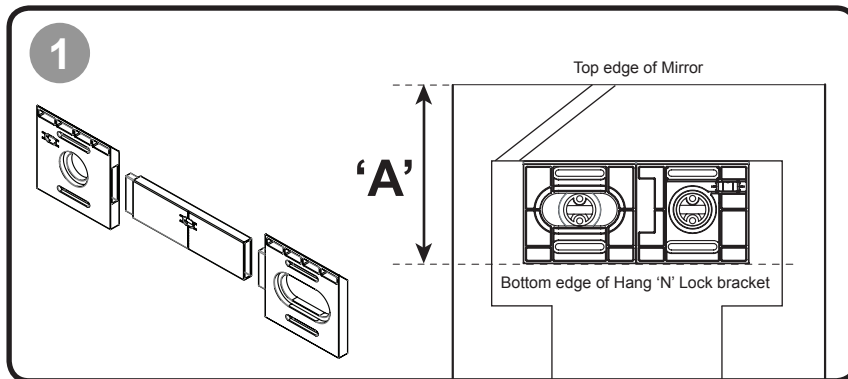


With the Hang 'N' Lock bracket loosely attached to the wall, adjust for height and level by rotating the cams with a flat head screwdriver aligning the bottom edge of the HNL bracket with the reference line, then fully tighten the mounting screws using a philips screwdriver, to securely fix the bracket into position. Adjust for level if required.

Light Module Installation (optional)

1. Align the two pilot holes at the top of the mirror with the corresponding holes located on the light module.
2. Thread the lighting cable through the channel on the rear of the mirror prior to securing the light module in position.
3. **IMPORTANT:** The lighting cable must be threaded through the channel on the rear of mirror and located into the recess at the rear of the mirror.
4. Using the screws provided, secure the light modules onto the mirror using the a philips screwdriver. **DO NOT OVERTIGHTEN.**

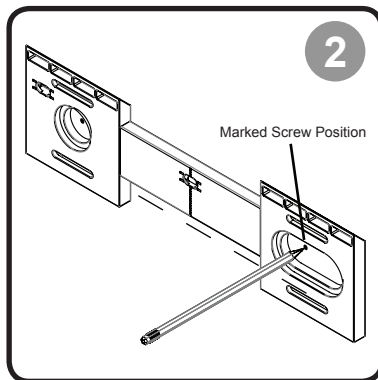
Mirror Installation



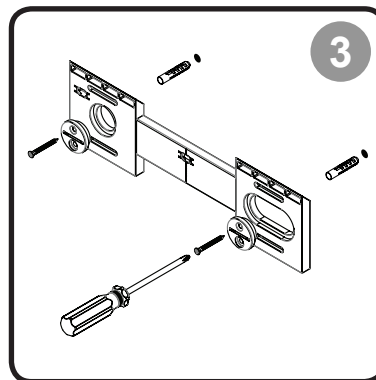
Assemble the Hang 'N' Lock bracket sections making sure all parts are slotted together tightly.

Place the Hang 'N' Lock bracket onto the hanging baton at the back of the mirror and measure the dimension 'A' – See fig. 1.

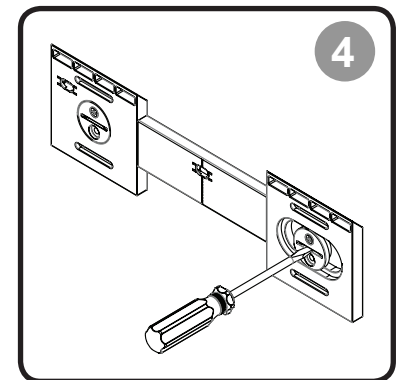
Determine the desired location above the Vanity Unit and mark a point at the top edge of the mirror on the wall surface. Using dimension 'A' draw a horizontal reference line below the top mark to determine the position of the bottom edge of the Hang 'N' Lock bracket.



Place the bottom edge of the Hang 'N' Lock bracket onto the reference line and using a pencil, mark the screw hole positions in each cam recess. Remove the Hang 'N' Lock bracket from the wall surface prior to drilling.



Drill the marked holes to a depth of 45mm. Insert the wall plugs level with the surface of the wall. (Note: if you are fitting the product to a tiled surface, insert the wall plugs below the surface of the tile to avoid cracking, the tile) Insert 2 x screws (Either countersink or standard screws can be used) through the Hang 'N' Lock cams and loosely secure the Hang 'N' Lock bracket to the wall.



With the Hang 'N' Lock bracket loosely attached to the wall, adjust for height and level by rotating the cams with a flat head screwdriver aligning the bottom edge of the HNL bracket with the reference line, then fully tighten the mounting screws using a philips screwdriver, to securely fix the bracket into position. Adjust for level if required.

Hang the mirror onto the Hang 'N' Lock bracket, to complete the installation.

CONNECTING TO THE MAINS SUPPLY

1. **Ensure that the switched electrical mains supply to which the light unit is to be connected is turned off.**
2. **Connect the flexible mains supply cable on the light unit to the switched lighting circuit ensuring that the Live (Brown) conductor is connected to the switched Live on and the Neutral (Blue) conductor is connected to the Neutral on the domestic electrical mains supply. Note: Connection of the product to the domestic electrical mains supply must only be carried out by a Building Regulations Part P certified electrician or must be checked by your Local Authority Building Control Department.**

Operating Instructions

Cabinet Lights

To turn the LED lights on or off, operate the switch for the lighting circuit.

Product Care

To retain the best quality finish, clean product regularly with a soft cloth and mild detergents. Do not use abrasive or chemical cleaners, as these will damage the product.

Operating Instructions

Cabinet Lights

To turn the LED lights on or off, operate the switch for the lighting circuit.

Product Care

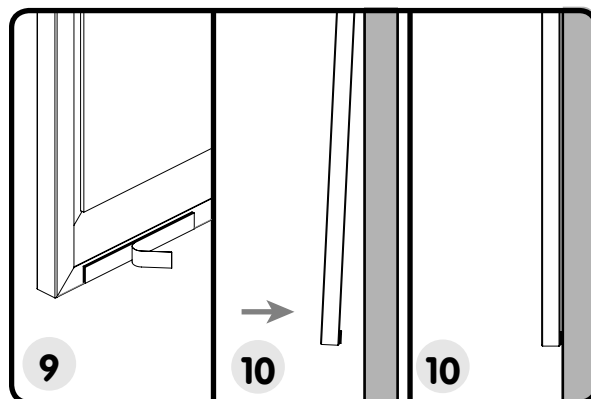
To retain the best quality finish, clean product regularly with a soft cloth and mild detergents. Do not use abrasive or chemical cleaners, as these will damage the product.

Do not place hot objects onto the surface of the wooden shelves.

Do not position glass components in close contact with a heat source.

9. Peel off the protective cover strip from the back of the hook and loop fasteners and place on the back of the mirror frame.
(The adhesive tape is ideal for use on tiled and laminate surfaces but may cause damage to painted and papered walls.)

10. Carefully lower the mirror to a vertical position and press the adhesive pads against the wall to secure the bottom of the mirror.
The mirror can be removed by separating the hook and loop fastener between the mirror and wall.



This product complies with the requirements of

- European Parliament/Council Directive 2006/95/EC the Low Voltage Directive with current amendments
- European Parliament/Council Directive 2004/108/EC on electromagnetic compatibility (EMC Directive) with current amendments.

Applicable Standards with amendments:

- BS EN 55-015
- BS EN 61547
- BS EN 60355-1
- BS EN 60598-1
- BS EN 61558-2-5

For details of the other items in the Croydex range please visit our website: www.croydex.com

Croydex, Central Way, Andover, Hants, SP10 5AW, UK
Tel: +44 (0) 1264 365881
Fax: +44 (0) 1264 356437
Email: info@croydex.co.uk



To the Restriction of Hazardous Substances (RoHS) Directive 2011/65/EU

1. *Description of product:-*

Name: **Vanity Unit and Illuminated Mirror Set**
Part No. **WC4101XXE**

2. *Directives complied with:-*

European Council Directive 2011/65/EU of 8 June 2011 on the restriction of the use of certain hazardous substances in electrical and electronic equipment (recast).

3. *Declaration*

It is hereby certified that the concentration by weight of the restricted substances in the homogenous materials in the products described above at section 1 do not exceed the maximum allowed concentrations listed in European Council Directive 2011/65/EU Annex II Restricted substances referred to in Article 4(1) and maximum concentration values tolerated by weight in homogeneous materials, as detailed below:

Substance	Concentration
Lead	0.1%
Mercury	0.1%
Cadmium	0.01%
Hexavalent Chromium	0.1%
PBB (Polybrominated Biphenyls)	0.1%
PBDE (Polybrominated Diphenyl Ethers)	0.1%

For and on behalf of CROYDEX

P. Pegden
Product and Procurement Director
Date: 04-01-2016



To the Low Voltage Directive (LVD) 2014/35/EU and Electromagnetic Compatibility (EMC) Directive 2014/30/EU

1. *Description of product:-*

Name: **Vanity Unit and Illuminated Mirror Set**
Part No. **WC4101XXE**

2. *Directives complied with:-*

European Parliament/Council Directive 2014/35/EU on the harmonisation of the laws of the Member States relating to the making available on the market of electrical equipment designed for use within certain voltage limits (LVD) Directive (recast).

European Parliament/Council Directive 2014/30/EU on the harmonisation of the laws of the Member States relating to electromagnetic compatibility (EMC) Directive (recast).

3. *Declaration*

The products listed above in section 1 conform to the following harmonised standards:

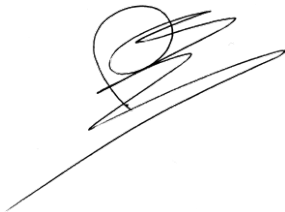
LVD

BS EN 60598-1:2015
BS EN 60598-2-1:1989
BS EN 62493:2015
BS EN 62471:2008

EMC

Emissions: BS EN 55015:2013
Immunity: BS EN 61547:2009

For and on behalf of CROYDEX



P. Pegden
Product and Procurement Director
Date: 04-01-2016